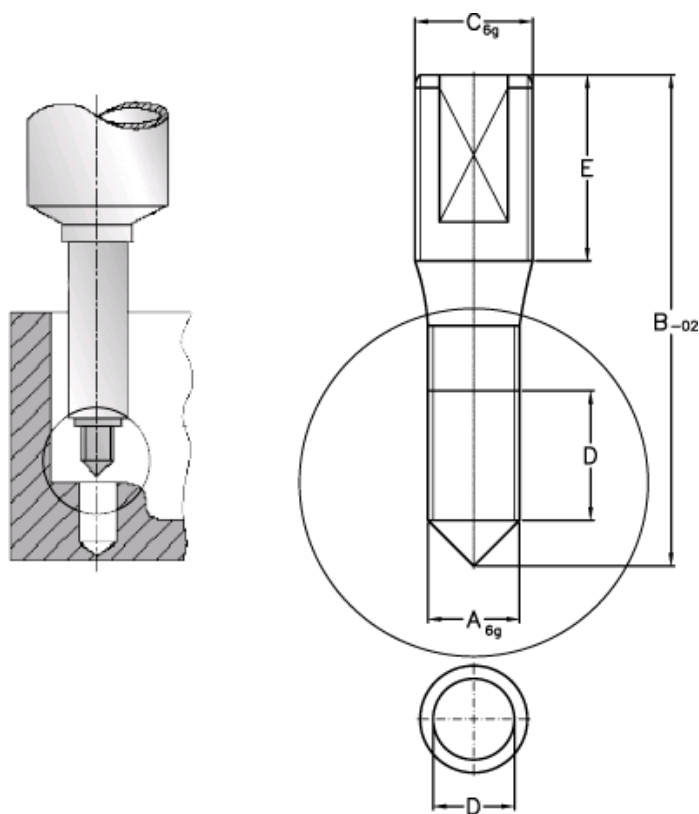


Article number: 12621000100710

Description: Threaded pin 621 000 100.710
For M10

Measures



A = M10
B = 117.5
C = M12
D = 20.8
E = 25